

Blouberg Ridge Primary School
Grade 7
Mathematics
Paper 2
Mid-Year Examination Paper 2019

Question 1: Underline the correct answer.

[5]

1.1 A double compact disk (CD) box has a height of 2cm, length of 14cm and a breadth of 12 cm.

Calculate the volume of the CD box.

- a) 336 cm b) 28 cm^3 c) 336 cm^2 d) 336 cm^3

1.2 The area of a rectangle is 45 cm^2 . If the length is 9cm, calculate the breadth.

- a) 5cm b) 10cm c) 3cm d) 15cm

1.3 The perimeter of a square is 24cm. The length of a side is:

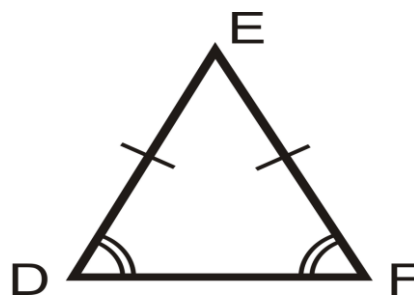
- a) 6cm b) 4cm c) 12cm d) 8cm

1.4 The formula to calculate area of a triangle is

- a) $A = L \times B$ b) $A = S \times S$ c) $A = \frac{1}{2} (b \times h)$ d) $A = L \times B \times H$

1.5 The triangle on the right is called

- a) scalene
b) equilateral
c) right-angled triangle
d) isosceles



Question 2: Fill in the blanks.

[5]

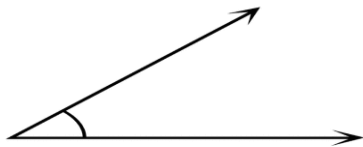
- 2.1 The sum of the angles in a quadrilateral equals _____ . (1)
- 2.2 The polygon with nine sides is called a _____ . (1)
- 2.3 A triangle with all sides equal is called _____ . (1)
- 2.4 The _____ is the outline or border around the outside of a circle. (1)
- 2.5 A straight angle measures _____ degrees. (1)

Question 3: Angles

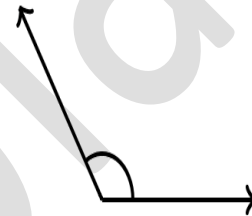
[12]

3.1 Measure the following angles.

3.1.1



3.1.2



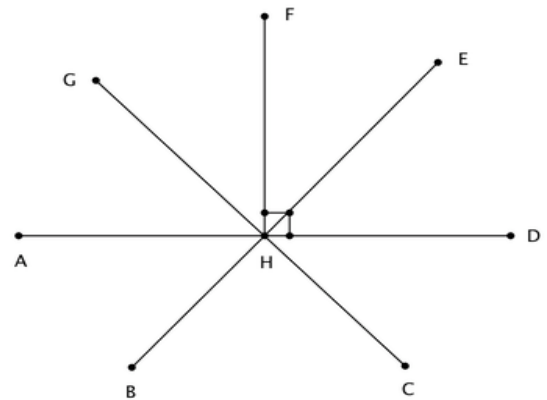
3.2 Look at the diagram on the right and name the type of angles.

(3)

3.2.1 GHD - _____

3.2.2 FHE - _____

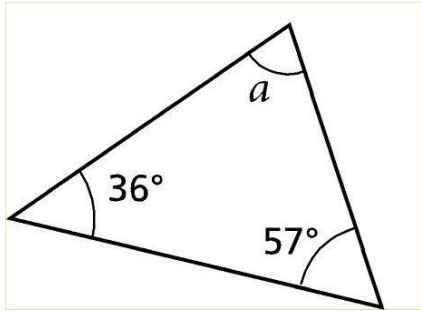
3.2.3 AHD - _____



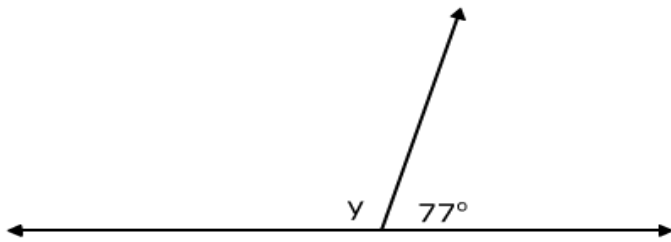
3.3 Construct and label angle PQR measuring 50° .

(2)

3.4 Use your knowledge of triangles and angles to find the size of the missing angle. Show your working. (2)



(2)



Question 4: Circles

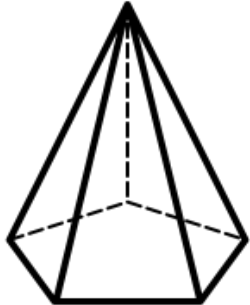
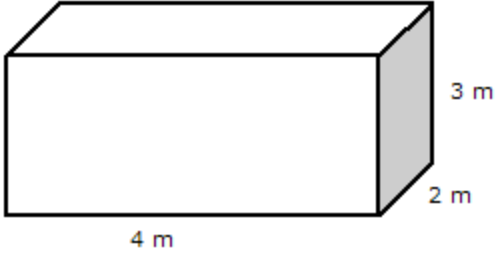
[5]

- 4.1 Draw concentric circles, one with a diameter of 100 mm, the other with a radius of 3cm. (2)
- 4.2 Mark the centre point A. (1)
- 4.3 Draw a chord in the larger circle so that it does not touch the circumference of the smaller circle. Label the chord DE. (2)



Question 5: Look at the 3D shapes below and complete the table.

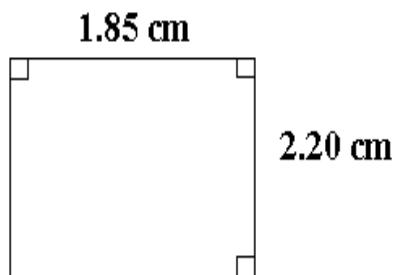
[6]

3D Shape	Faces	Edges	Vertices
			
			

Question 6: Calculate the area of the shapes below:

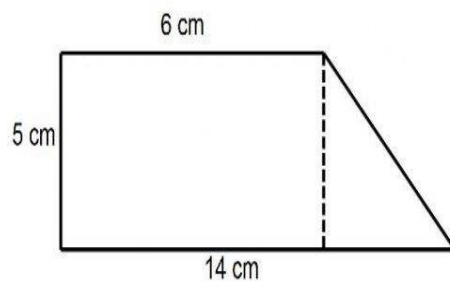
[9]

6.1



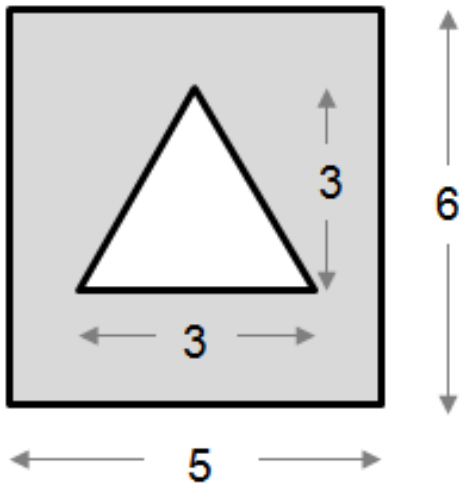
Show all your working.

6.2



Show all your working.

6.3 Calculate the area of the shaded region. The measurements given are in centimetres (cm).



Show all your working.

Question 7: Problem Solving

[8]

7.1 Mr J. Daniel has a rectangular garden which is 14m long and 7m wide. He builds a fence around it but leaves an opening 2,5 m for a gate.

a) How long is the fence?

b) What will the fence cost if it is R47 per metre?

c) If he gets the fence from a cheaper supplier at R39,00 per metre, how much will he save in total?



(2)

(2)

(2)

Blank area for working out the answers to Question 7.1.

7.2. A sweet factory produces a new range of sweets that will fit in the box as shown below.

The surface of the box will be wrapped in a label giving details of the product.



Find the surface area of the box.

(2)

